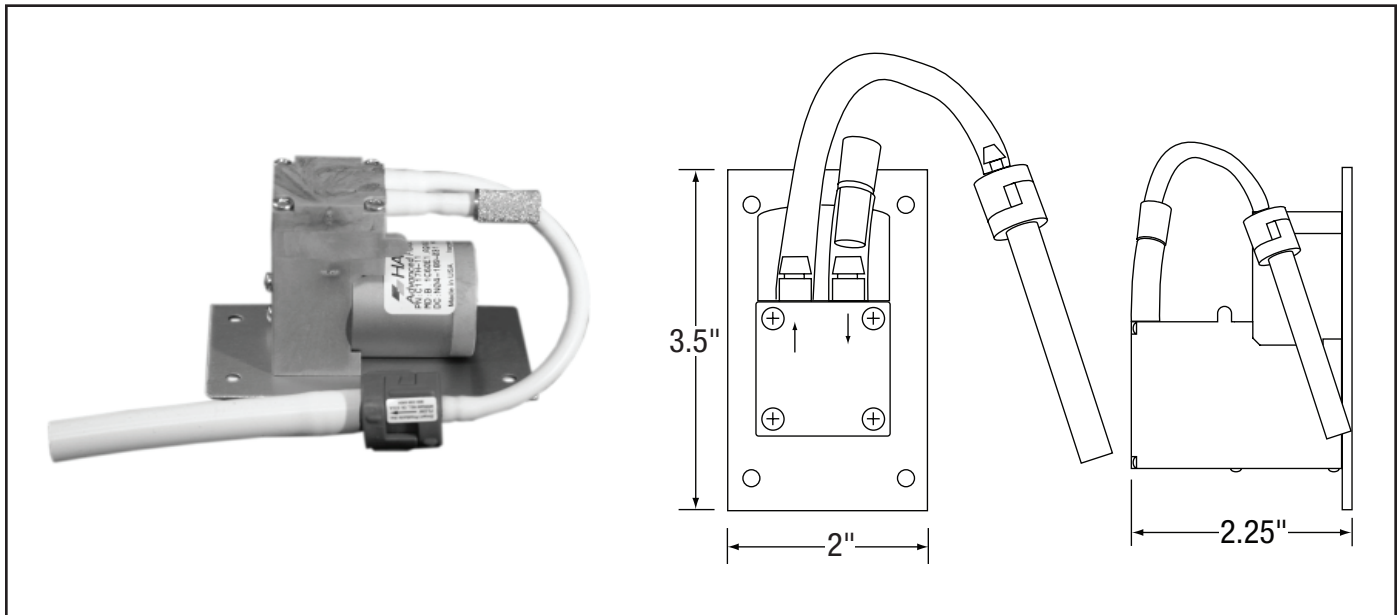


FEATURES & BENEFITS

- Longer compressor life
- Lower maintenance
- Extends dehydrator service life
- Brushless motor
- Improved diaphragm and valves
- Direct replacement for earlier compressor
- No scheduled maintenance
- Installation requires no special tools



DESCRIPTION

Current ADH-2A COM production uses an improved brushless single diaphragm compressor with a continuous operation life exceeding 50,000 hours in place of the original 8,000 hour brush-type unit. When operated at the recommended 10 percent cycle the new compressor increases the nominal life from 9.2 to 57.25 years. The upgrade kit directly replaces the earlier compressor with the new brushless unit. This kit extends the service life of the ADH-2A COM while

increasing the compressor replacement interval to 50,000 hours.

In addition to eliminating brushes, the new compressor uses anti-friction bearings along with a longer lasting valve and diaphragm material. In addition, the brushless design tolerates the stop-start operation that is a characteristic of dehydrator applications.

The upgrade kit includes everything necessary to install the new brushless compressor including

mounting bracket, inlet muffler, hardware, etc. The installation requires no special tools.

A two year limited warranty applies to this product. Customer Service can answer questions regarding either warranty or product.

For complete information describing its application, installation and features, please contact Customer Service or check on the web at www.networketi.com.

SPECIFICATIONS

General

MTBF	50,000+ run-time hours
Nominal Output	11.12 SCFH (5.25 LPM) @ 0.5 psig (34.48 mbar) 8.22 SCFH (3.88 LPM) @ 3 psig (206.84 mbar) 6.36 SCFH (3 LPM) @ 6 psig (413.69 mbar)
Dimensions	2" × 3-1/2" × 2-1/4" (51mm × 89mm × 57mm)

Environmental

Operating temperature	32°F to 130°F (0°C to 55°C)
Storage temperature	-40°F to 140°F (-40°C to 60°C)

ORDERING INFORMATION

Order Number	Description
23031	Model ADH-2A COM Compressor Upgrade Kit

LIMITED WARRANTY

ETI's two year limited warranty covering defects in workmanship and materials applies. Contact Customer Service for complete warranty information.

DISCLAIMER

Environmental Technology, Inc. makes no representations or warranties, either expressed or implied, with respect to the contents of this publication or the products that it describes, and **specifically disclaims any implied warranties of merchantability or fitness for any particular purpose**. Environmental Technology, Inc. reserves the right to revise this publication, and to make changes and improvements to the products described in this publication, without the obligation of Environmental Technology, Inc. to notify any person or organization of such revisions, changes or improvements.